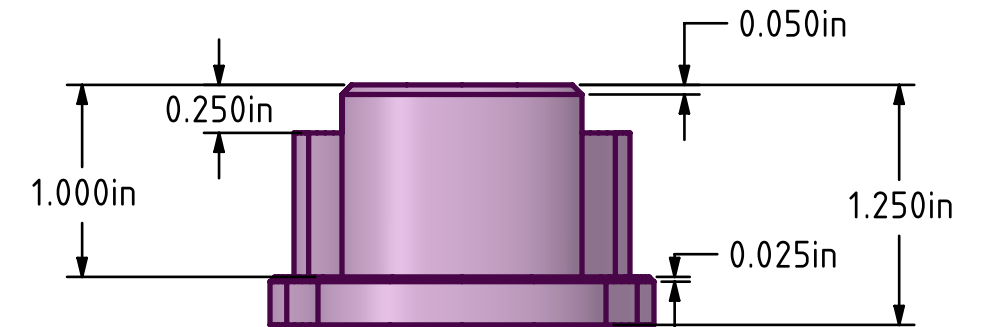
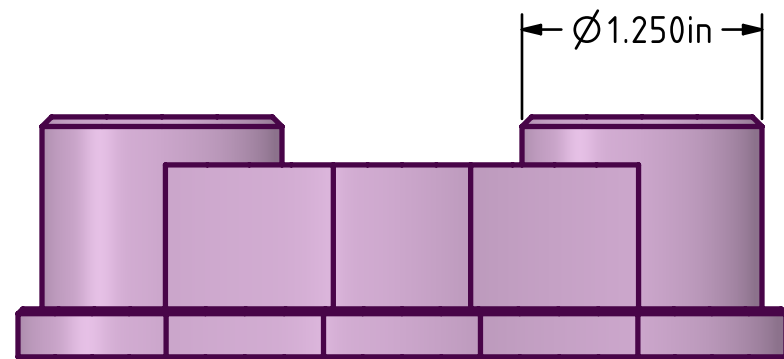
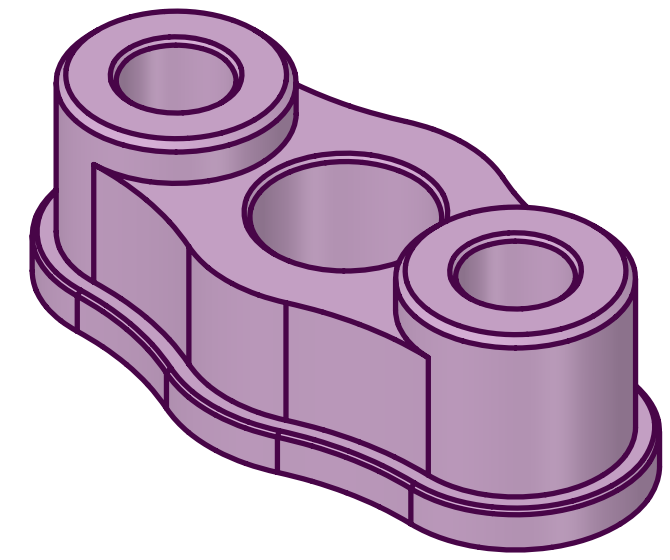
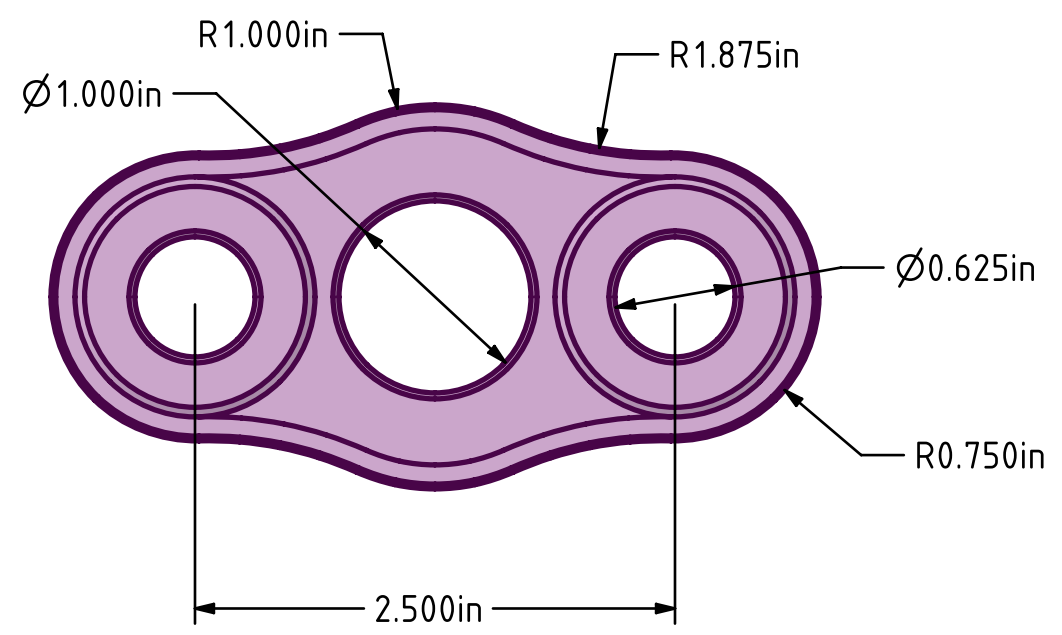




### REVISION HISTORY

REV	DESCRIPTION	INCORP BY	DATE	CHECKED
-----	-------------	-----------	------	---------

NOTES:



-2		-1		ITEM	PART OR IDENTIFYING NO.			NOMENCLATURE OR DESCRIPTION		
QTY REQD				NO.						
<b>PARTS LIST</b>										
INIT	APPROVALS	DATE	INIT	APPROVALS	DATE	<b>FLANGE</b>				
CONTRACT NO.		MATERIAL		TITLE			SIZE	CAGE CODE	DWG NO.	REV
NEXT ASSY		USED ON		APPLICATION			SCALE	SHEET		

